

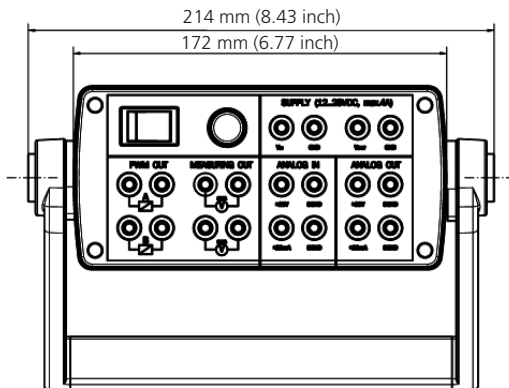
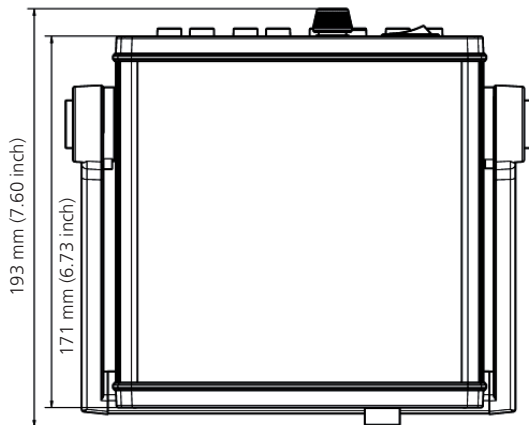
ValVE SiCon

Accessories for Valve Electronics

M



ValVE SiCon



Dimensions

Description

Application area

ValVE SiCon is a standalone signal generator, designed for controlling valves via programmable parameters. By the use of standard connectors, the device is suitable for all valves, regardless of the manufacturer.

Performance features

ValVE SiCon can operate a valve of up to two magnetic coils. The control of the coil can be operated via a PWM signal by either setting the duty cycle ratio or the coil current value. The present coil current is additionally given out on a measuring channel as an analogue voltage value. Furthermore, two analogue outputs ($\pm 10V$ and $\pm 20mA$) are available for controlling valves with integrated electronics.

ValVE SiCon offers several configurable functions such as sine, ramp, triangle or sweep. Moreover, even set-points can be preset, from either an external device via two analogue inputs ($\pm 10V$ and $\pm 20mA$), or with the integrated potentiometer.

The graphical display in combination with the keypad on the front panel enables an easy operation of the unit. In addition to the graphical display, the current conditions are shown via four status LEDs.

Design characteristics

ValVE SiCon is designed for desktop use. The angle of the device can be modified by a fixable handle in steps of 30° . For all inputs and outputs, banana jack plugs at the back of the device are used.

Technical data**Order code**

Device data	Size	Unit
<i>Power supply</i>		
Voltage	9 ... 28	VDC
Current consumption	Max. 4	A
<i>Ambient conditions</i>		
Temperature, storing	0 ...+60 (+32 ... +140	°C °F)
Temperature, operation	+5 ... +50 (+41 ... +122	°C °F)
Humidity, storing	0 ... 95	%
Humidity, operation (non-condensing)	0 ... 95	%
<i>Connections</i>		
Banana jacks	20	
<i>Operation</i>		
Membrane keyboard	6	keys
<i>Display</i>		
Graphical display	128 x 32	pixel
Brightness	adjustable	
<i>Analogue inputs</i>		
Voltage (1x)	±10	V
Current (1x)	±20	mA
Resolution	12	Bit
<i>Analogue outputs</i>		
Voltage (1x)	±10	V
Current (1x)	±20	mA
Resolution	12	Bit
<i>PWM-outputs (2x)</i>		
Resolution	12	Bit
Measuring output	1	V / A
<i>Frequency range</i>		
PWM	20 ... 9,999	Hz
Dither	0 ... 500	Hz
Signal (sine, triangle,...)	0 ... 500	Hz

ValVE SiCon

VE 100-1000