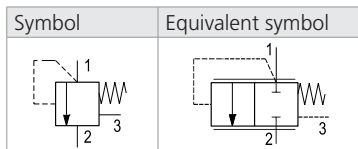
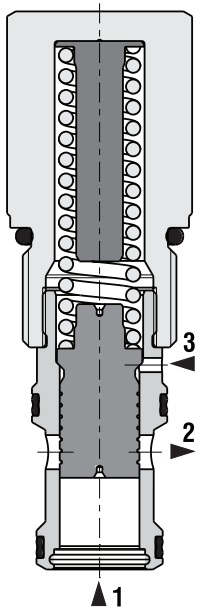


SL2H-CP3/H2I12

1 1/16-12 UN • Q_{max} 120 l/min (32 GPM) • p_{max} 350 bar (5100 PSI)

SL2H-CP3/H2I12*



Technical Features

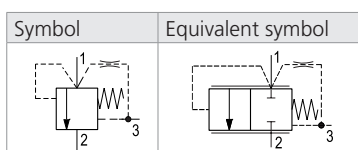
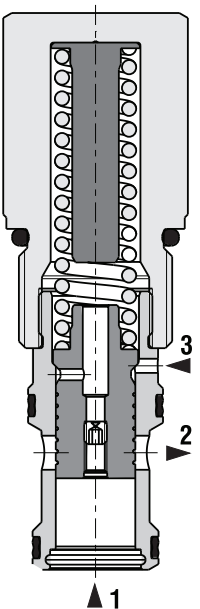
- › 3 Way Pressure Compensator or main stage of pilot operated pressure relief or sequence valve
- › High flow capacity
- › The valve maintains a constant pressure drop on a flow control valve (e.g. proportional directional control valve) and thus a constant volumetric flow independent of actuator load
- › SL2H-CP3/H2I12*D05* valve is usable as the main stage of pilot operated pressure relief valve
- › Rapid and smooth response to load changes
- › Stable function throughout the whole flow range
- › Hardened precision parts
- › Pressure drop adjustable
- › In the standard version, the valve is zinc-coated for 520 h protection acc. to ISO 9227

Technical Data

Valve size / Cartridge cavity		1 1/16-12 UN-2A / CP3 (VC12-S3)
Max. operating pressure	bar (PSI)	350 (5100)
Max. flow	l/min (GPM)	120 (32)
Fluid temperature range (NBR)	°C (°F)	-30 ... +100 (-22 ... +212)
Fluid temperature range (FPM)	°C (°F)	-20 ... +120 (-4 ... +248)
Hysteresis	%	< 5
Weight (acc. to type of pressure adjustment)	C	0,34 (0.75)
	S	0,51 (1.12)
	A	0,76 (1.68)

		Datasheet	Type
General information		GI_0060	Products and operating conditions
Valve bodies	In-line mounted	SB_0018	SB-CP3*
Cavity details / Form tools		SMT_0019	SMT-CP3*
Spare parts		SP_8010	

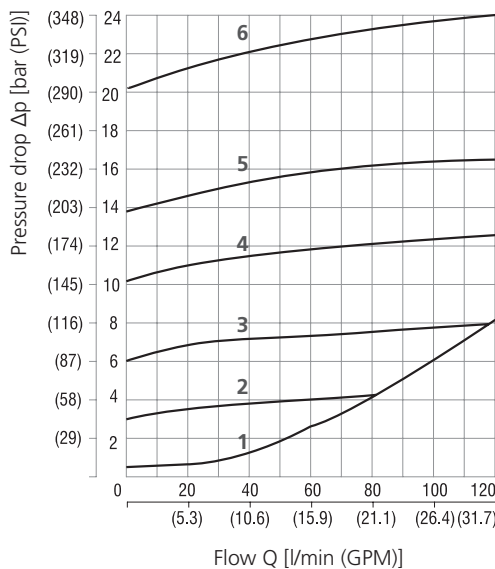
SL2H-CP3/2I12*D05*



Characteristics measured at $v = 32 \text{ mm}^2/\text{s}$ (156 SUS)

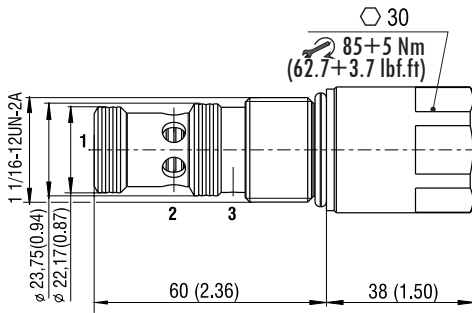
Pressure drop related to flow rate

direction 1 → 2, port 3 without pressure

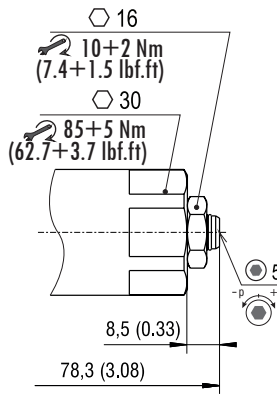


Pressure level		
6	200	20 bar (290 PSI)
5	140	14 bar (203 PSI)
4	100	10 bar (145 PSI)
3	060	6,0 bar (87 PSI)
2	030	3,0 bar (44 PSI)
1	005	0,5 bar (7 PSI)

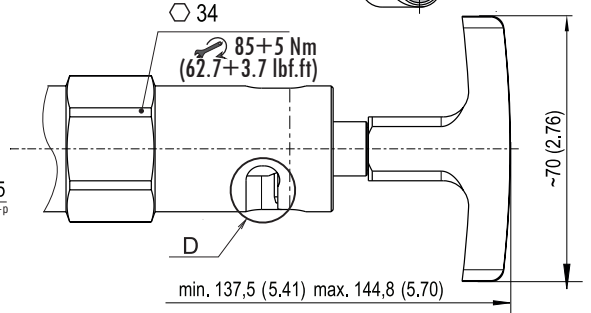
Model C



Model S



Model A



Detail D
2:1

Ordering Code

SL2H-CP3 / H 2I12- - - - B

Logic valve, spool type, cartridge

High performance

Version

Normally closed (NC)

Pressure level

0.5 bar (7 PSI)

3.0 bar (44 PSI)

6.0 bar (87 PSI)

10 bar (145 PSI)

14 bar (203 PSI)

20 bar (290 PSI)

005

030

060

100

140

200

No designation

V

No designation

D05

C

S

A

Surface treatment

zinc-coated (ZnNi), ISO 9227 (520 h)

Seals

NBR

FPM (Viton)

Orifice

without orifice

0.5 mm (0.02 inch)

Adjustment option

fixed setting, not adjustable

allen key (hex. 5), without protective cap*

grip with locking function**

*Adjustment range 10 – 100 % of maximum value from selected pressure level.

**The grip with locking function is useable only up to operating pressure 250 bar (3630 PSI).