

Quick-Connect System



Quick-Connect System

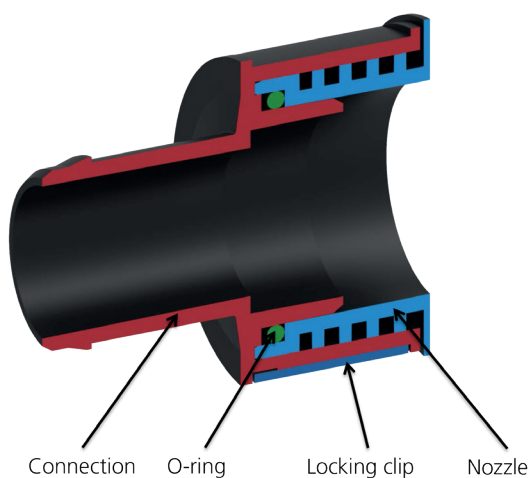
Description

Application

Connection technology for hose lines (suction and return lines)

Construction and function

The Quick-Connect system is a connection system that can be fitted without tools and can be easily installed even in hard-to-reach or confined spaces. The connection is pushed over a connecting piece and fitted using a safety clip. There is no need to specify and check a tightening torque, as is necessary with conventional screw fittings. A simple visual check is sufficient. Once the Quick-Connect fitting has been established, the connection can still be rotated, making it easier to fit the hydraulic hoses without tension.



Components of the Quick-Connect kit

Operating pressure:

| | |
|-----------------------|------------------|
| Connection size QC 37 | 10 bar / 145 psi |
| Connection size QC 49 | 6 bar / 87 psi |
| Connection size QC 65 | 4 bar / 58 psi |

Hydraulic fluids

Mineral oil and biodegradable fluids
(HEES and HETG, see info-service 00.20).

For hydraulic fluids with an electrical conductivity
< 500 pS/m at 20 °C / 68 °F, we recommend using the
electrically conductive connections (QC ... - LS2).

Flow rates

- › for suction lines: $\leq 1.5 \text{ m/s} / 4.9 \text{ ft/s}$
- › for return lines: $\leq 4.5 \text{ m/s} / 14.8 \text{ ft/s}$

Temperature range

-30 °C ... +100 °C (temporary +120 °C)
-22 °F ... +212 °F (temporary +248 °F)

Materials

| | |
|---------------|--|
| Connection: | Polyamide, GF-reinforced, not electrically conductive Polyamide, CF-reinforced, electrically conductive |
| Sealing plug: | Polyamide, GF-reinforced |
| Locking clip: | Polyamide, GF-reinforced |
| O-ring: | HNBR |

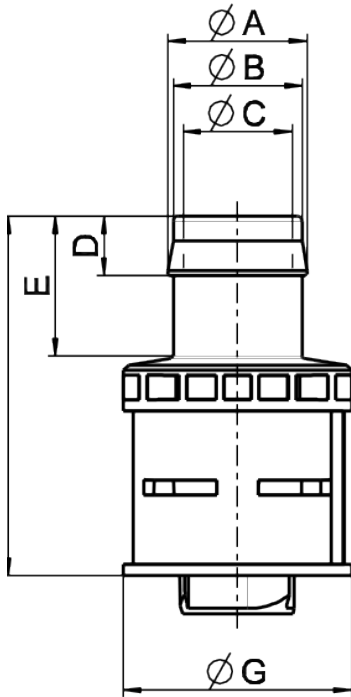
Technical notes

General notes on use and safety

- › Successful use of the Quick-Connect system requires that the permissible operating conditions are observed.
- › If the connecting elements are under pressure, the safety clips must not be released.
- › Excessive loads, e.g. due to kinking hoses or hoses that are too short, must be avoided.

Selection Chart

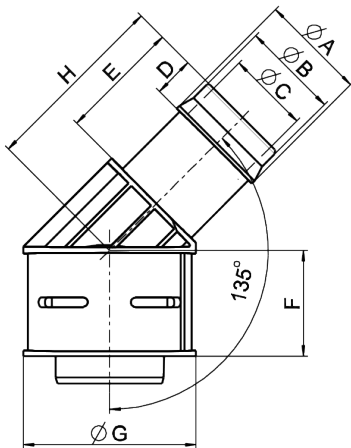
Connections straight



| Dimensions | | | | | | | |
|----------------|------|------|------|----|----|------|-----|
| Order no. | Ø A | Ø B | Ø C | D | E | F | Ø G |
| QC 37.0016-S2 | 18,5 | 16,5 | 12,5 | 12 | 28 | 72,5 | 46 |
| QC 37.0025-S2 | 28 | 26 | 22 | 12 | 28 | 72,5 | 46 |
| QC 37.0025-LS2 | 28 | 26 | 22 | 12 | 28 | 72,5 | 46 |
| QC 49.0016-LS2 | 18,5 | 16,5 | 12,5 | 13 | 40 | 82 | 57 |
| QC 49.0025-S2 | 27 | 25 | 20 | 10 | 38 | 76 | 57 |
| QC 49.0025-LS2 | 27 | 25 | 20 | 10 | 38 | 76 | 57 |
| QC 49.0032-S2 | 34 | 32 | 27 | 10 | 39 | 76 | 57 |
| QC 49.0032-LS2 | 34 | 32 | 27 | 10 | 39 | 76 | 57 |
| QC 49.0038-S2 | 40 | 38 | 32,7 | 10 | 39 | 76 | 57 |
| QC 49.0038-LS2 | 40 | 38 | 32,7 | 10 | 39 | 76 | 57 |
| QC 65.0032-S2 | 33,8 | 31,8 | 26,8 | 13 | 54 | 101 | 76 |
| QC 65.0038-S2 | 41,4 | 38,1 | 33,5 | 13 | 54 | 101 | 76 |
| QC 65.0051-S2 | 53,8 | 50,8 | 46,1 | 13 | 54 | 101 | 76 |

Note: QC ... S2: not electrically conductive, packaging unit 20 pieces
 QC ... LS2: electrically conductive, packaging unit 20 pieces
 Other versions on request

Connections 45°

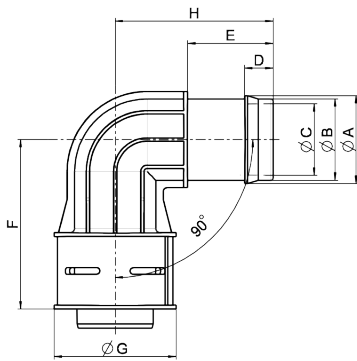


| Dimensions | | | | | | | | |
|----------------|------|------|------|----|----|------|-----|----|
| Order no. | Ø A | Ø B | Ø C | D | E | F | Ø G | H |
| QC 37.4513-S2 | 15 | 13 | 8,5 | 12 | 29 | 71,5 | 46 | 25 |
| QC 37.4516-S2 | 18,5 | 16,5 | 12,5 | 12 | 29 | 71,5 | 46 | 25 |
| QC 37.4520-S2 | 21 | 19 | 15 | 12 | 29 | 71,5 | 46 | 25 |
| QC 37.4525-S2 | 27 | 25,5 | 21,5 | 12 | 30 | 75,5 | 46 | 23 |
| QC 49.4520-S2 | 21 | 19 | 15 | 12 | 30 | 69 | 57 | 35 |
| QC 49.4525-S2 | 27 | 25,5 | 21,5 | 12 | 30 | 69 | 57 | 35 |
| QC 49.4525-LS2 | 27 | 25,5 | 21,5 | 12 | 30 | 69 | 57 | 35 |
| QC 49.4532-S2 | 35 | 32 | 27 | 13 | 40 | 79 | 57 | 35 |
| QC 65.4551-LS2 | 54 | 51 | 46,5 | 13 | 40 | 107 | 76 | 49 |

Note: QC ... S2: not electrically conductive, packaging unit 20 pieces
 QC ... LS2: electrically conductive, packaging unit 20 pieces
 Other versions on request

Selection Chart

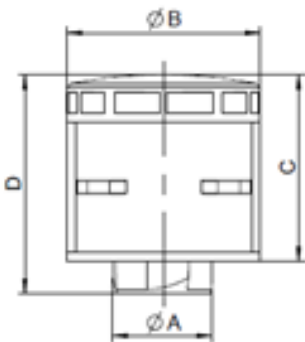
Connections 90°



| Order no. | Dimensions | | | | | | | |
|----------------|------------|------|------|----|----|------|-----|------|
| | Ø A | Ø B | Ø C | D | E | F | Ø G | H |
| QC 37.9009-S2 | 10,6 | 9,5 | 6 | 8 | 32 | 59,5 | 46 | 63 |
| QC 37.9010-S2 | 11,5 | 9,5 | 6 | 12 | 26 | 59,5 | 46 | 37 |
| QC 37.9013-LS2 | 15 | 13 | 8,5 | 12 | 34 | 59,5 | 46 | 55 |
| QC 37.9016-S2 | 17,8 | 15,8 | 11 | 8 | 32 | 59,5 | 46 | 63 |
| QC 37.9025-S2 | 28 | 26 | 22 | 12 | 32 | 59,5 | 46 | 55 |
| QC 40.9025-S2 | 27 | 25 | 21 | 7 | 38 | 51,5 | 57 | 60 |
| QC 49.9025-LS2 | 27 | 25 | 21 | 7 | 38 | 51,5 | 57 | 60 |
| QC 49.9032-S2 | 34 | 31 | 27 | 12 | 30 | 79 | 57 | 120 |
| QC 49.9032-LS2 | 34 | 31 | 27 | 14 | 32 | 79 | 57 | 61 |
| QC 49.9038-LS2 | 42 | 38 | 33,5 | 13 | 40 | 79 | 57 | 74 |
| QC 65.9051-S2 | 54 | 51 | 46,5 | 13 | 40 | 79 | 76 | 90,5 |
| QC 65.9051-LS2 | 54 | 51 | 46,5 | 13 | 40 | 79 | 76 | 90,5 |

Note: QC ... S2: not electrically conductive, packaging unit 20 pieces
 QC ... LS2: electrically conductive, packaging unit 20 pieces
 Other versions on request

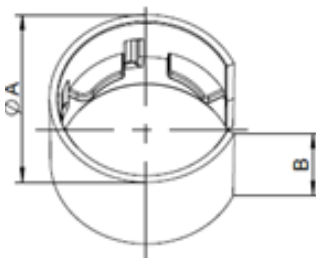
Quick-Connect Sealing Plug



| Order no. | Dimensions | | | |
|---------------|------------|-----|------|------|
| | Ø A | Ø B | C | D |
| QC 37.0000-S2 | 28 | 46 | 44,6 | 52,4 |
| QC 49.0000-S2 | 40 | 57 | 38,2 | 38,2 |

Note: QC ... S2: not electrically conductive, packaging unit 20 pieces
 Other versions on request

Locking Clip



| Order no. | Dimensions | | |
|-----------------|--------------|------|-------------------------|
| | Ø A | Ø B | Suitable for connection |
| QC 37.CL00-G-S2 | 46 / min. 39 | 30 | QC 37 |
| QC 49.CL00-G-S2 | 57 / min. 48 | 31 | QC 49 |
| QC 65.CL00-G-S2 | 72 / min. 63 | 41,6 | QC 65 |

Note: QC ... S2: not electrically conductive, packaging unit 20 pieces
 Other versions on request

O-ring

| Order no. | Dimensions | |
|-------------|-------------------------|--|
| | Suitable for connection | |
| N007.0254-1 | QC 37 | |
| N007.0384-1 | QC 49 | |
| N007.0505 | QC 65 | |