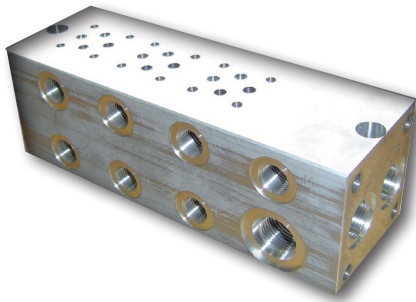


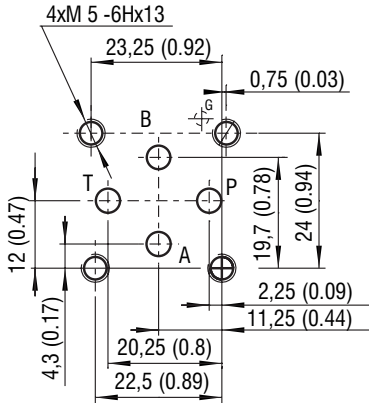
Serial Plates for ISO 4401-02 Valve with Side Ports

DR1-04

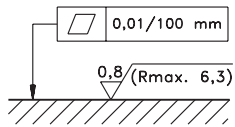
Size 04 (D02) • p_{max} 320 bar (4600 PSI)



ISO 4401-02-01-0-05



Ports P, A, B, T - max \varnothing 4.5 mm (0.18 in)



Požadovaná jakost povrchu protikusu

Technical Features

- › Designed to connect in parallel two or more ISO 4401-02 (CETOP 02) valves with integrated unloading and pressure relief valve cavity with interface 3/4-16 UNF-2A
- › Compact design with reduced plate dimensions for production cost saving
- › Maximum 8 parallel modular valve sections
- › Consumer ports A and B positioned on the side of the sub-plate
- › Maximum flow rate can be increased up to twice the output if the sub-plates are powered at both ends
- › Serial plates are available in aluminium EN AW - 7075 T6
- › In the standard version, the aluminium serial plate is without surface protection

Technical Data

Modular valves mounting surface		04 (D02)
Cartridge cavity		A2 (C-8-2)
Max. operating pressure (aluminium)	bar (PSI)	320 (4640)
Port dimensions P		G3/8
Port dimensions T		G3/8
Port dimensions A, B		G1/4
Port dimensions M		G1/4
Weight (model 0, 1, 2)	kg (lbs)	see table

	Datasheet	Type
General information	GI_0060	Products and operating conditions
Cavity details	SMT_0019	SMT_A2*
Mounting interface	SMT_0019	Size 04
Studs and nuts for vertical stacking assemblies	HA_0020	

Connection

DR1-04/ 0

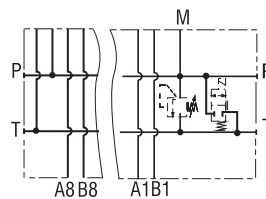
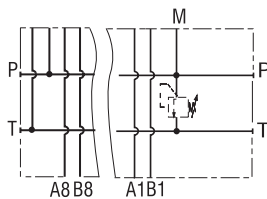
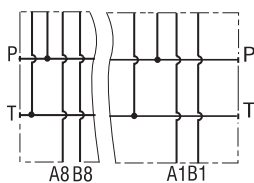
P, TG3/8
A, BG1/4

DR1-04/ 1

P, TG3/8
A, B, MG1/4
valve cavity 3/4-16 UNF

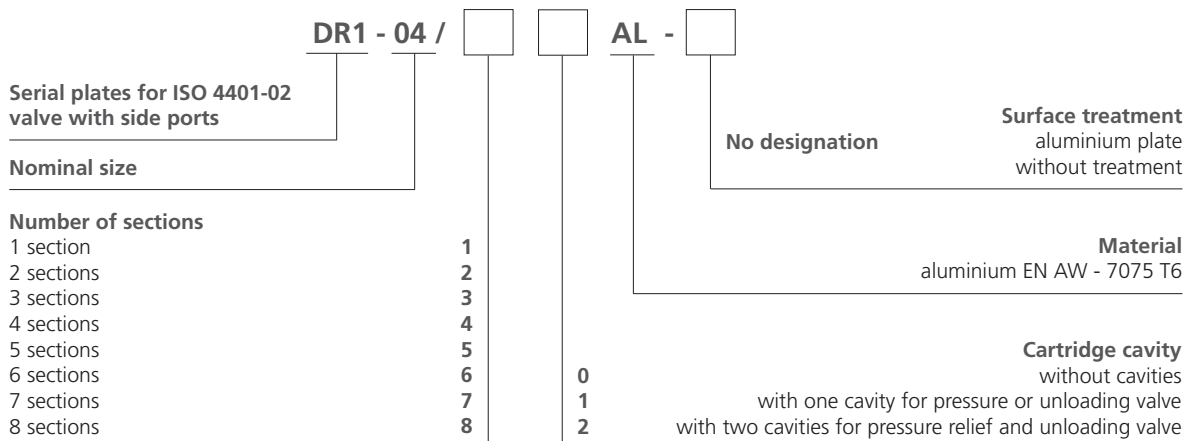
DR1-04/ 2

P, TG3/8
A, B, MG1/4
2 valve cavities 3/4-16 UNF



Port cavity A, B, P, T
see page 2.

Ordering Code

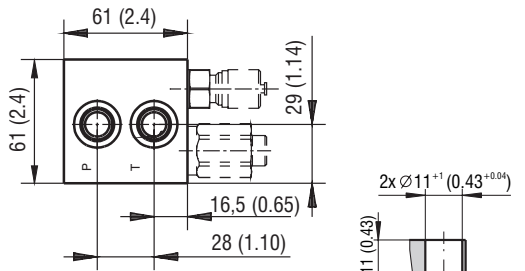
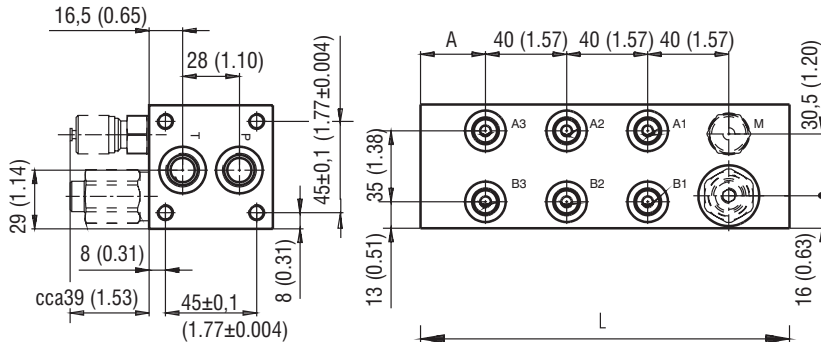
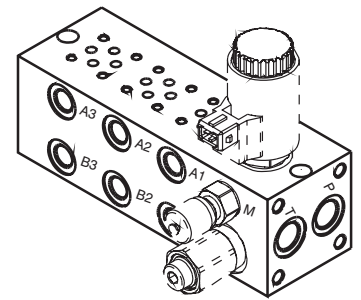
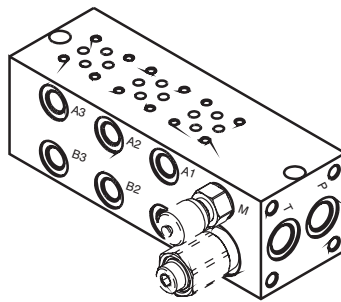
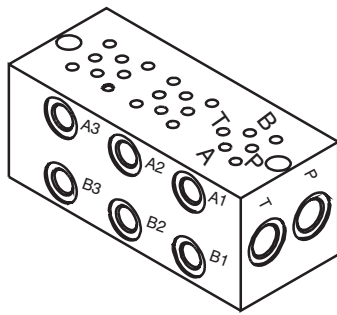


Dimensions in millimeters (inches)

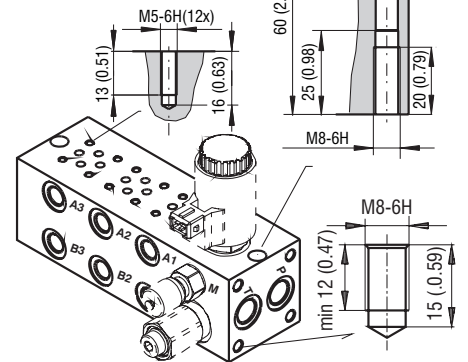
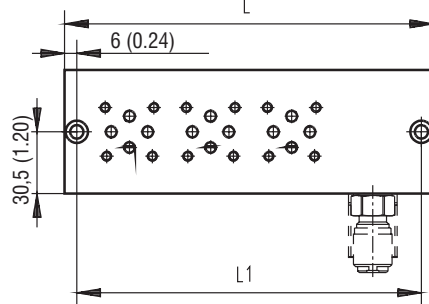
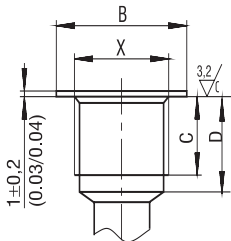
DR1-04/ 0

DR1-04/ 1

DR1-04/ 2



Port cavity A, B, P, T



X	B [mm (in)]	C [mm (in)]	D [mm (in)]
G1/4	∅20+0.5 (0.79/0.81)	12+0.1 (0.47/0.48)	15±0.2 (0.58/0.60)
G3/8	∅23+0.5 (0.91/0.93)	12+0.1 (0.47/0.48)	15±0.2 (0.58/0.60)
G1/2	∅28+0.5 (1.1/1.12)	14+0.1 (0.55/0.56)	17±0.2 (0.66/0.68)

DR1-04	/*0		*1(2)		/*0		/*1(2)	
Number of sec.	L [mm (in)]		L1 [mm (in)]		A [mm (in)]			
1	-	102 (4.02)	-	90 (3.54)	32.5 (1.28)		32 (1.26)	
2	105 (4.13)	142 (5.59)	91 (3.58)	130 (5.12)	32.5 (1.28)		32 (1.26)	
3	145 (5.71)	182 (7.17)	131 (5.16)	170 (6.69)	32.5 (1.28)		32 (1.26)	
4	185 (7.28)	222 (8.74)	171 (6.73)	210 (8.27)	32.5 (1.28)		32 (1.26)	
5	225 (8.86)	262 (10.31)	211 (8.31)	250 (9.84)	32.5 (1.28)		32 (1.26)	
6	265 (10.43)	302 (11.89)	251 (9.88)	290 (11.42)	32.5 (1.28)		32 (1.26)	
7	305 (12.01)	342 (13.46)	291 (11.46)	330 (12.99)	32.5 (1.28)		32 (1.26)	
8	345 (13.58)	382 (15.04)	331 (13.03)	370 (14.57)	32.5 (1.28)		32 (1.26)	

Number of sec.	DR1-04/*0		DR1-04/*1		DR1-04/*2	
	Ordering number	Weight [kg (lb)]	Ordering number	Weight [kg (lb)]	Ordering number	Weight [kg (lb)]
1	-	-	16113500	0.90 (2.0)	23693100	0.90 (2.0)
2	23714600	0.95 (2.1)	16113600	1.25 (2.8)	23693200	1.35 (3.0)
3	23714700	1.30 (2.9)	16113700	1.40 (3.1)	23693300	1.60 (3.5)
4	23714800	1.70 (3.8)	16113800	2.00 (4.4)	23693400	2.00 (4.4)
5	23714900	2.05 (4.5)	16113900	2.35 (5.2)	16772000	2.35 (5.2)
6	23715000	2.40 (5.3)	16114000	2.75 (6.1)	23693600	2.70 (6.0)
7	23715100	2.80 (6.2)	16114100	3.10 (6.8)	23693700	3.10 (6.8)
8	23715200	3.15 (6.9)	16114200	3.45 (7.6)	23693800	3.45 (7.6)