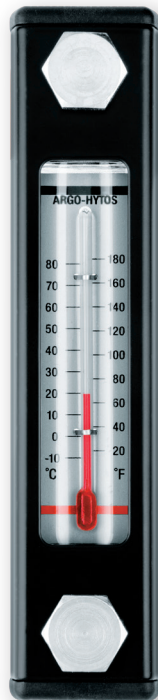


Oil Level Gauges

C5.3511 · C5.3516 · C5.3529

Indication range up to 194 mm / 7.64 inch · With thermometer · Temperature indication up to 80 °C / 180 °F



Oil Level Gauges C5.3516-50

Description

Application

Indicates the oil level and the oil temperature in hydraulic oil or lubricant reservoirs.

Design and function

ARGO-HYTOS oil level gauges consist of a robust metal housing equipped with a sight level tube and built-in thermometer. The fluid enters the thermometer chamber through the mounting bolts, which are hollow. O-rings provide a seal against the housing and the reservoir wall.

Special features

- › The robust metal housing is designed to withstand even the most severe operating conditions.
- › The integrated aluminum scale comes with MIN-/MAX marking and a glass thermometer, showing the oil temperature in °C and °F.

Mounting

The hollow screws and the locking nuts supplied with the gauge, enable installation on the reservoir wall. With the locking nuts, the bolts can be retightened from the outside (tightening torque: 8 Nm). If the wall of the reservoir is more than 8 mm / 0.32 inch thick, no locking nuts are needed. Threaded holes are required instead of smooth bore holes.

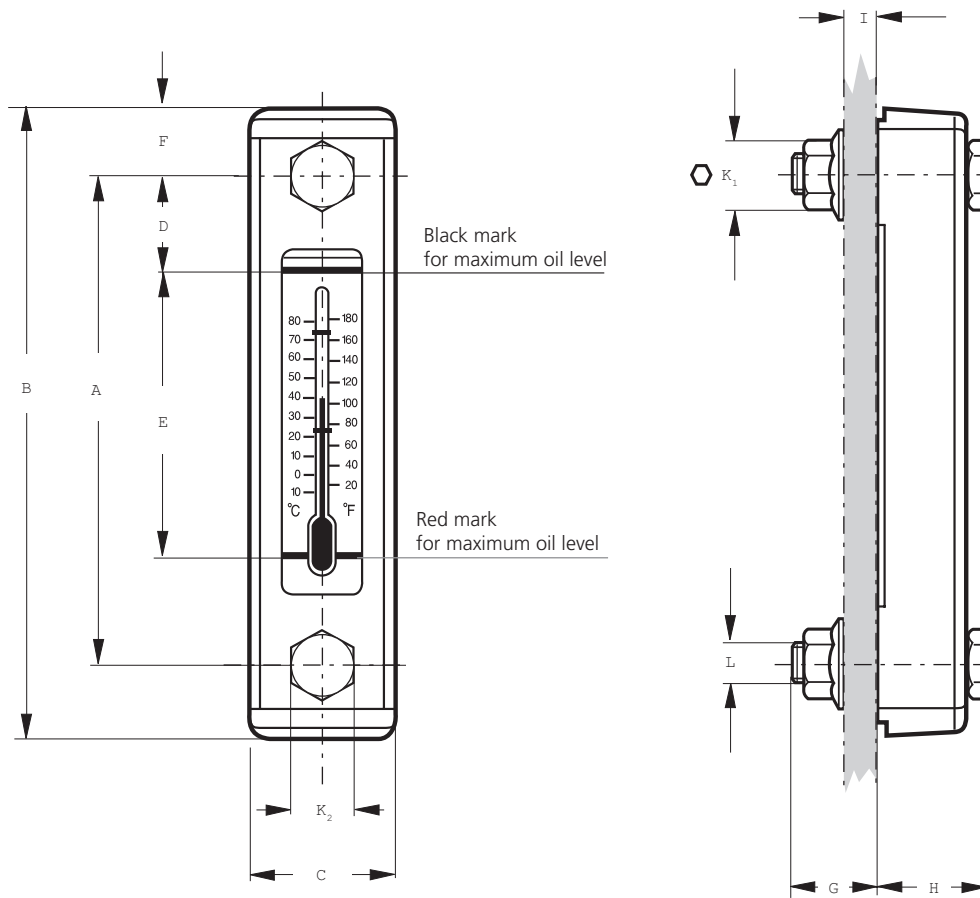
Selection Chart

Part No.	Oil level indicating range E		Total height B		Temperature indicating range		Mounting bolts	Weight		Remarks
	mm	inch	mm	inch	°C	°F		kg	lbs	
1	2		3		4	5	6	7		8
C5.3511-50	33	1.30	108	4.25	+20 ... +80	80 ... 180	M10	0.18	0.40	-
C5.3516-50	74	2.91	159	6.26	-10 ... +80	20 ... 180	M12	0.24	0.53	-
C5.3529-50	194	7.64	285	11.22	-10 ... +80	20 ... 180	M12	0.32	0.71	-

Remarks:

The gauges listed in the chart are standard gauges. If modifications are required, we kindly ask for your request.

Dimensions



At the housing C5.3529-50 the vision panel is divided in two sections.

Measurements in mm

Type	A	B	C	D	E	F	G	H	I max.*	K1	K2	L
C5.3511-50	76	108	34.5	22.5	33	16	17	28	8	AF 15	AF 17	M10
C5.3516-50	127	159	34.5	27.5	74	16	17	28	8	AF 18	AF 17	M12
C5.3529-50	254	286	34.5	31	194	16	17	28	8	AF 18	AF 17	M12

Measurements in inch

Type	A	B	C	D	E	F	G	H	I max.*	K1 mm	K2 mm	L
C5.3511-50	2.99	4.25	1.36	0.89	1.30	0.63	0.67	1.10	0.31	AF 15	AF 17	M10
C5.3516-50	5.00	6.26	1.36	1.08	2.91	0.63	0.67	1.10	0.31	AF 18	AF 17	M12
C5.3529-50	10.00	11.26	1.36	1.22	7.64	0.63	0.67	1.10	0.31	AF 18	AF 17	M12

* With a reservoir wall thickness of more than 8 mm / 0.32 inch, threaded holes are required instead of smooth bore holes.

Characteristics

Operating pressure

Max. 2 bar / 29 psi (abs.)

Connection

Threaded ports according to DIN 13. Sizes see Selection Chart, column 6 and section Dimensions. For installation recommendations, see info sheet 00.325.

Hydraulic fluids

Mineral oil and biodegradable fluids (HEES and HETG, see info-sheet 00.20).

Temperature range

-20 °C ... + 80 °C
- 4 °F ... +180 °F

Ambient temperature range

-25 °C ... + 80 °C
-13 °F ... +180 °F

Materials

Housing: Steel, powder coated, black
Sight level tube: Polyamide
Scale: Aluminum
Thermometer: Glass
Bolts: Steel, zinc plated
Seals: NBR (FPM on request)

Mounting position

In the min. / max. oil level range on the side wall of the hydraulic oil reservoir.

Quality Assurance

Quality management according to DIN EN ISO 9001

Various quality controls during the production process guarantee the leakfree function and solidity of our products.

Illustrations may sometimes differ from the original. ARGO-HYTOS is not responsible for any unintentional mistake in this specification sheet.