

Oil Level Dipsticks

C4.0410 · C4.0412 · C4.0421 · C4.0431 · C4.0450 · C4.0464

With mounting bolts · Bolt thread M10 · Dipstick length up to 640 mm / 25.2 inch



Oil Level Dipstick C4.0410-00330

Description

Application

Controlling the oil level in hydraulic oil or lubricant reservoirs.

Construction and function

ARGO-HYTOS oil level dipsticks are robust semicircular metal rods with an O-ring seal. A mounting bolt with a suitable hole is supplied with each dipstick. Dipsticks are available in various lengths, with various markings, and with various mounting bolts (see selection chart).

Special features

- › The robust material withstands even the most severe operating conditions.
- › Absolutely leak-free due to the integrated O-ring.
- › The supplied dipstick mounting bolt can also replace one of the mounting bolts of an in-tank, return or suction filter.

Mounting

The bolt supplied with the oil level dipstick is installed either in a separate threaded hole or in an already existing mounting hole for an in-tank filter.

If used as a filter mounting bolt, a separate threaded hole is eliminated. Care should be taken to provide a proper seal between the tank, the filter and the mounting bolt.

Selection Chart

Part No.	Dipstick dimension L1		Dipstick dimension L2		Dipstick dimension L3		Mounting bolt	Grade	Remarks
	mm	inch	mm	inch	mm	inch			
1	2		3		4		5	6	7
C4.0410-00330¹	100	3.94	-	-	-	-	SV.2810.05	8.8	-
C4.0410-01330	100	3.94	95	3.74	64	2.52	SV.2810.05	8.8	-
C4.0412-00330¹	120	4.72	-	-	-	-	SV.2810.05	8.8	-
C4.0412-03330	120	4.72	97	3.82	47	1.85	SV.2810.05	8.8	-
C4.0412-04330	120	4.72	100	3.94	75	2.95	SV.2810.05	8.8	-
C4.0421-00330¹	210	8.27	-	-	-	-	SV.2810.05	8.8	-
C4.0421-04330	210	8.27	118	4.65	88	3.46	SV.2810.05	8.8	-
C4.0421-06330	210	8.27	71	2.80	46	1.81	SV.2810.05	8.8	-
C4.0431-00330¹	310	12.20	-	-	-	-	SV.2810.05	8.8	-
C4.0431-01330	310	12.20	190	7.48	160	6.30	SV.2810.05	8.8	-
C4.0450-00330¹	500	19.68	-	-	-	-	SV.2810.05	8.8	-
C4.0464-00330¹	640	25.20	-	-	-	-	SV.2810.05	8.8	-
C4.0464-01330	640	25.20	630	24.80	90	3.54	SV.2810.05	8.8	-

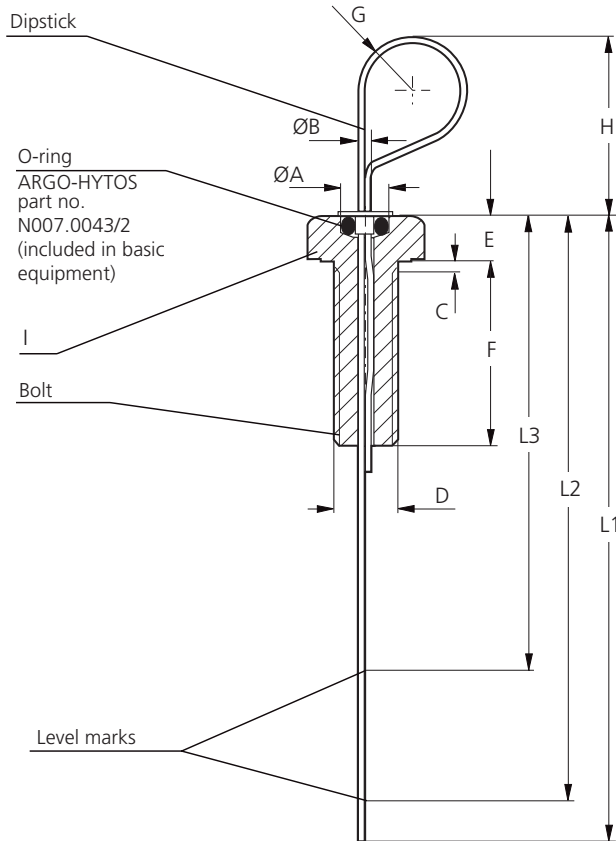
¹ Preferred type, no minimum order quantity required

Remarks:

The dipsticks listed in the chart are standard dipsticks. If modifications are required, e.g. for the use in pressurized tanks, we kindly ask for your request.

Dimensions

Dipstick with bolt



Measurements in mm

Mounting bolt	A	B	C	D	E	F	G	H	I
SV.2810.05	10	3.7	4.5	M10	7	30	10	39	AF 17

Measurements in inch

Mounting bolt	A	B	C	D	E	F	G	H	I mm
SV.2810.05	0.39	0.15	0.18	M10	0.28	1.18	0.39	1.54	AF 17

Characteristics

Operating pressure

Max. 1 bar / 14.5 psi (abs.)
(not suitable for use in pressurized hydraulic oil tanks)

Connection

Threaded ports according to ISO 228 or DIN 13.
Sizes see section Dimensions
(other port threads on request).

Hydraulic fluids

Mineral oil and biodegradable fluids
(HEES and HETG, see info-sheet 00.20).

Temperature range

-30 °C ... +100 °C (temporary +125 °C)
-22 °F ... +212 °F (temporary +257 °F)

Ambient temperature range

-30 °C ... + 80 °C (temporary +100 °C)
-22 °F ... +176 °F (temporary +212 °F)

Materials

Dipsticks: Steel, zinc plated
Bolts: Steel, zinc plated
Seals: NBR (FPM on request)

Mounting position

Preferably in vertical position

Quality Assurance

Quality management according to DIN EN ISO 9001

Various quality controls during the production process guarantee the leakfree function and solidity of our products.

Illustrations may sometimes differ from the original. ARGO-HYTOS is not responsible for any unintentional mistake in this specification sheet.