

Oil Drain Valves

AV · TV

For mobile and industrial applications · Connection up to M32 x 1.5 / R1"



Oil drain valves

Description

Application

Alternatively to oil drain plugs at oil tanks you can also insert ARGO-HYTOS oil drain valves of type series AV20 or TV. The oil can precisely be discharged over the drain hole into a container or be sucked off by connected oil pumps or ARGO-HYTOS oil service units. Oil change or oil service is being simplified and can be effected almost without losing any oil. Examples for applications: Oil storage tanks in all industries, gear boxes, test benches, axles of rail vehicles.

Design and function

ARGO-HYTOS oil drain valves consist of a housing with spindle and poppet sealing. The poppet is opened by the spindle and the oil then will be drained. Threads at the oil drain hole allow connection of oil pumps or ARGO-HYTOS oil service units.

Special design features

- › Sealing by precise steel ball
- › With Type AV additional sealing of the spindle

Fixing

At the bottom of the tank by screw connection.

Operating pressure

Max. 1 bar / 14.5 psi absolute
(not applicable with pressurized containers)

Connection

Threaded port – see Measurements

Hydraulic fluids

Mineral oil and biodegradable hydraulic fluids
(HEES and HETG, see info-sheet 00.20)

Temperature range of fluids

-30 °C ... +100 °C
-22 °F ... +212 °F

Ambient temperature range

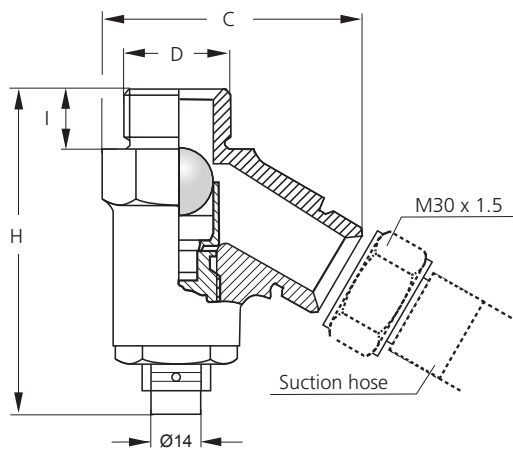
-30 °C ... + 80 °C
-22 °F ... +212 °F

Materials

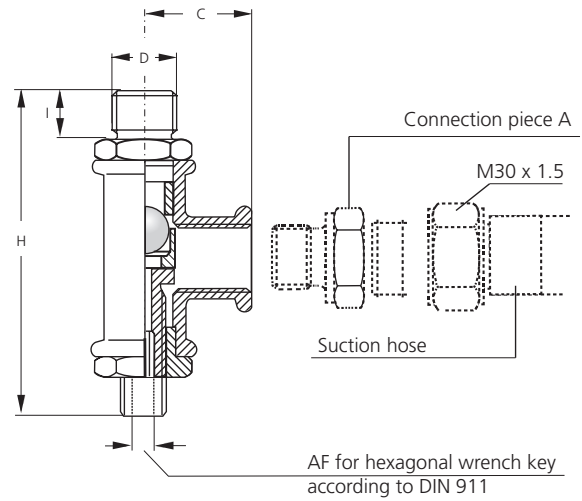
Housing: Malleable iron powder-coated
Spindle and ball: steel
Operating position: vertical or horizontal

Dimensions

Type AV



Type TV



Measurements

Type AV

Part No.	Type	D	C		H		I		AF mm
			mm	inch	mm	inch	mm	inch	
EC330400	AV20	M32 x 1.5	75	2.95	93	3.66	16	0.63	14
EC330410	AV20/1	M30 x 1.5	75	2.95	93	3.66	16	0.63	14

Type TV

Part No.	Type	D	C		H		I		Connection A	AF mm
			mm	inch	mm	inch	mm	inch		
EC330110	TV R 1/2"	R 1/2"	28	1.10	92	3.62	15	0.59	M30 x 1.5 to R 1/2"	6
EC330120	TV R 3/4"	R 3/4"	33	1.30	102	4.02	16	0.63	M30 x 1.5 to R 3/4"	8
EC330130	TV R1"	R 1"	38	1.50	125	4.92	18	0.71	M30 x 1.5 to R 1"	8

* For type TV R1" (EC330130), the spindle is additionally sealed with cap nut and flat gasket (not shown in drawing).